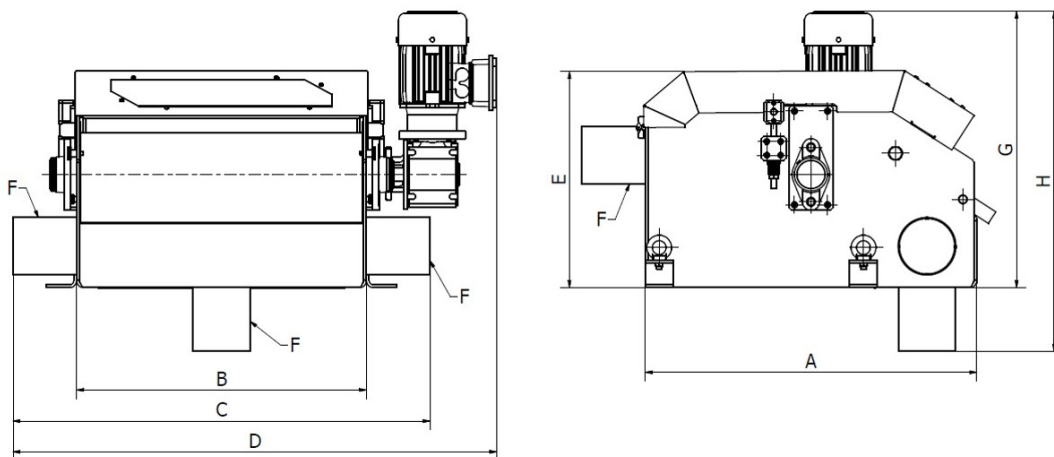


Datasheet MVS-LUX 800 N



				Dimensions (mm)								
Model	Flow cap. water emulsion (l/m)	Flow cap. oil emulsion (l/min)	Weight (kg)	A	B	C	D	E	F	G	H	Magnetic roller diameter (mm)
MVS-LUX 800 N	380	285	280	650	825	1055	1180	425	125	525	640	204

Parameter name	Value
Description:	Magnetic coolant separator
Separator placement:	inside of a pipeline,
Application (= the material that the application of this separator is suitable for):	liquid material
Material flow direction):	horizontal
Built-in standard magnet type:	neodymium magnet N35
Max. magnetic induction (G) on the surface of tube (+/- 10 %):	4500
Maximum capacity. The mentioned capacities are informative and non binding (m3/h):	23
Weight of the product (kg):	280
Connecting dimension, inlet and outlet diameter of the separator (mm):	125
Standard connection of the separator:	pipeline connection

Separator is suitable also even for the materials of poor bulk properties:	yes
Minimum size of the particles that can be captured by the separator (mm):	0.03
Maximum size of the particles that can be captured by the separator (mm):	10
Max. operating temperature (°C):	80
Min. surrounding ambient temperature (°C):	-25
Max. surrounding ambient temperature (°C):	45
Separator is suitable for vacuum or pressure conveying lines:	no
Separator is suitable for materials transported by:	pipeline
Separator is able to capture paramagnetic particles:	yes
Separator is suitable for abrasive materials (1 = strongly abrasive, 2 = slightly abrasive, 3 = non-abrasive):	1
Separator is suitable for materials that tend to solidify (the materials must be heated):	no
Separation of non-ferrous metals:	no
Standard requirements for the installation:	electricity supply corresponding with the motor parameters
Cleaning of the separator:	fully automatic cleaning, it is not necessary to interrupt the material flow during the cleaning
Material of the separator body (that is in contact with the material):	DIN 1.4301
ATEX (on request):	zone 21, 22
Outer surface treatment of the separator:	painted (RAL colour tone)
Inner surface treatment of the separator:	no of surface treatment
Magnetic system:	magnetic roller
Motor brand:	Nord
Definition of the main motor electrical connection:	400 V, AC, 50 Hz, , PE-N, TN-C-S, circuit breaker 3F/32A
Available motor variants (the variant mentioned as the first is the standard one):	electric motor
Degree of motor protection (against dust and water):	IP55
Rotational speed of the engine (rev/min):	10
Bearings:	SNR

Available lubrication methods for the bearings:	manual
Standard electrical equipment of the separator:	no external electric cable, no frequency convertor, no electric switchboard, wiring is terminated at the motor screw terminal
Other standard parameters:	material of the separator body: stainless according to DIN 1.4301 (= AISI 304) + 11523 steel, rubber roller (it squeezes the sludge gathered to ensure that no coolant is wasted), the upper part of the separator can be lifted, various options of outlets, container for ferromagnetic particles (attachable to the separator box), sight glass (for the optical inspection of the pulley as well as of the material flow)
Max. operation time (hours/day):	24
Max. production time for a standard version (if not available in stock) (weeks):	8
Warranty (months):	12

This product can be delivered also in different dimensions, in the versions with a higher temperature resistance, different magnets etc. upon a special request. The mentioned capacity is only approximative and depends on the type of the cleaned material. The roller diameter (the same at all models): 204 mm